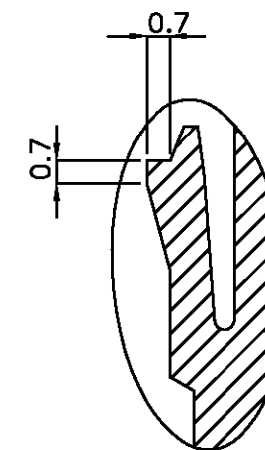
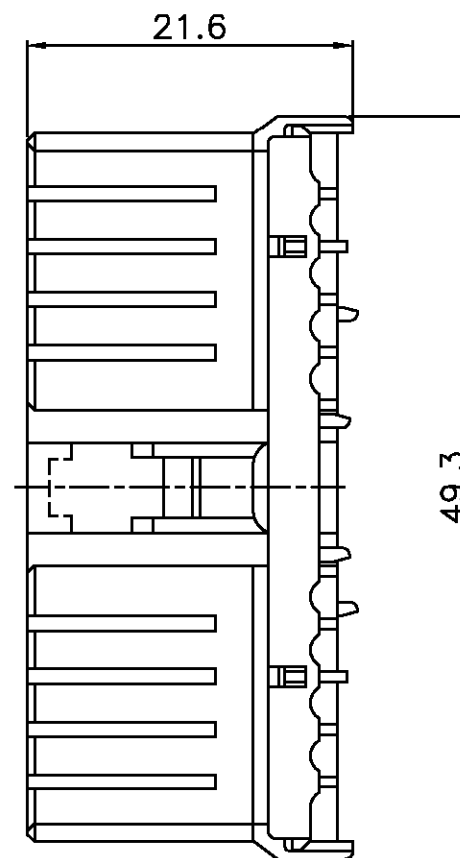
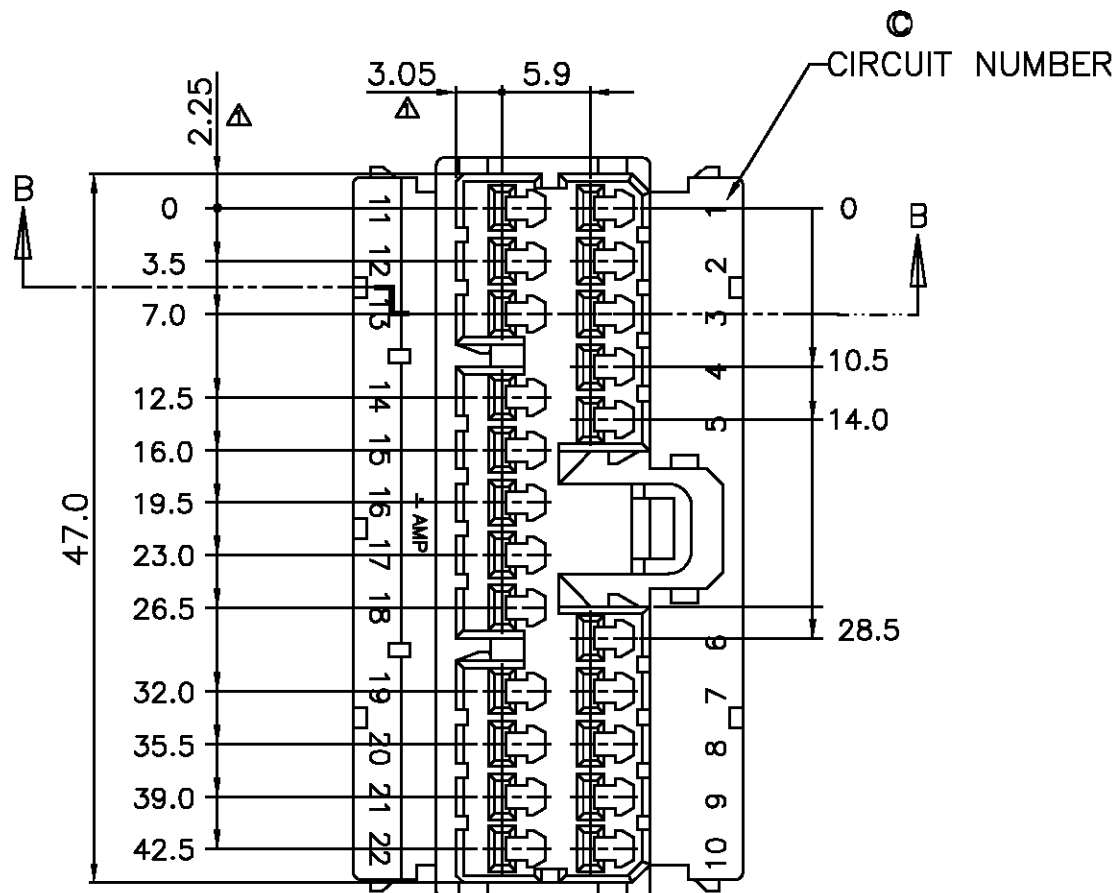


P	LTR	DESCRIPTION	DATE	DWN	APVD
	O	RELEASED(RD96-366)	23/NOV/'96	YJ	JK
	A	REVISED(FC00-0070-01)	23/JUN/'01	MS	CS
	B	REVISED(FC00-0028-03)	21/MAR/'03	MS	CS
	C	REVISED(FC00-0140-04)	01/JUL/'04	JG	CS

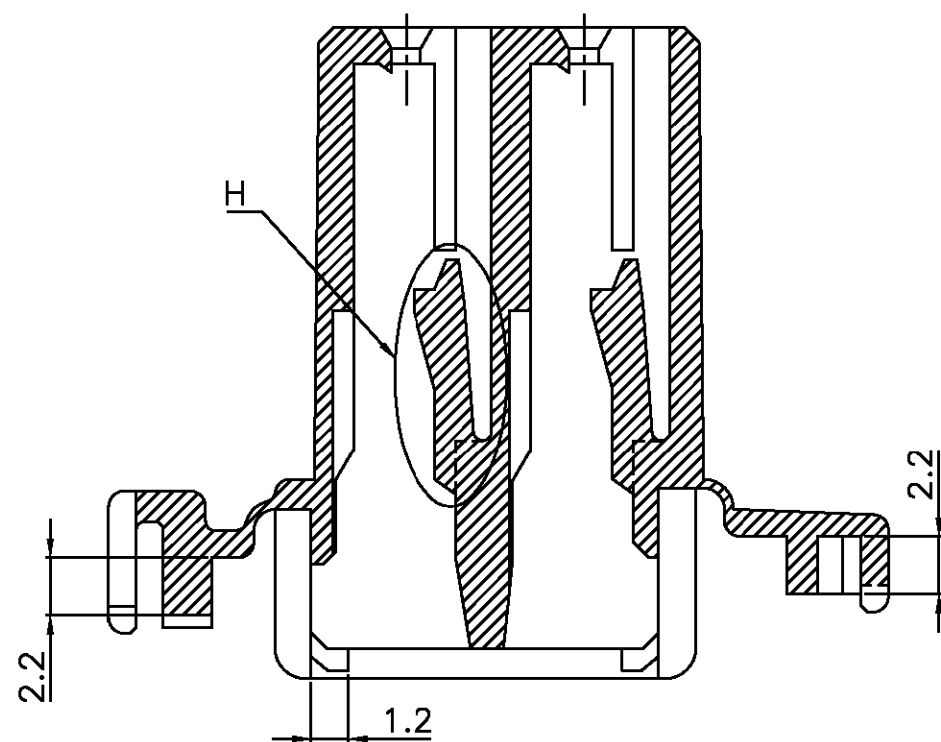


DETAIL H

NOTES

- 1. TO BE MEASURED BETWEEN [Z] AND 2.
- 2. APPLIED CONTACT P/N: 173630,173631,85098
- 3. TO BE MATED WITH CAP HSG SMOOTHLY
- 4. APPLIED CAP HSG P/N: 85097
- 5. CURRENT RATING: 10A MAX

P/N	MATERIAL	COLOR
85096-7	P.B.T	YELLOW
85096-1	P.B.T	WHITE



SECTION B-B (SCALE:5/1)

DIMENSIONS: mm		TOLERANCES UNLESS OTHERWISE SPECIFIED: 0 <XX<10 ± 0.2 10 <XX<30 ± 0.25 30 <XX ± 0.3 ANGLES ± 3'	
3rd ANGLE PROJECTION		FINISH	
MATERIAL SEE TABLE		WEIGHT	

DWN JG MOON		tyco Electronics		AMP KOREA. kyungsan, korea	
CHK BM JANG		NAME		.070 MLC 22P PLUG HSG.	
APVD CS LEE		SIZE		CAGE CODE	
PRODUCT SPEC		DRAWING NO		RESTRICTED TO	
APPLICATION SPEC		A3		00779C=	
WEIGHT		8 5 0 9 6		SCALE 2/1	
		SHEET 1 OF 1		REV C	